

# USER MANUAL



Thank you for choosing Better Bathrooms.  
Please read this manual before installing your product  
and keep for future reference.

**better**   
**bathrooms**

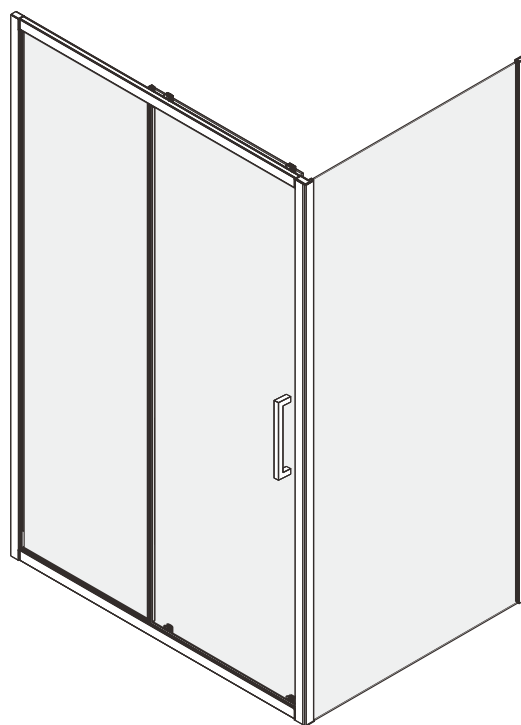
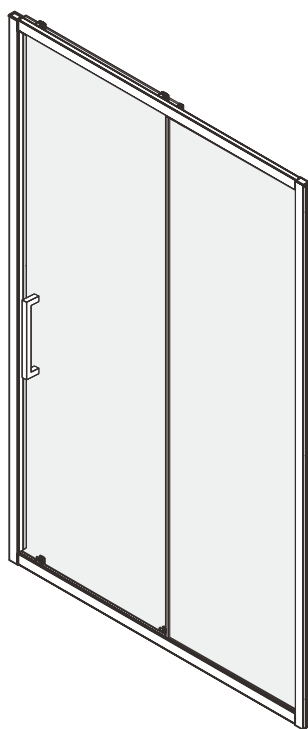
**PRODUCT NAME-PAVO SLIDING DOOR**

**PRODUCT CODE-BEBA\_26055~BEBA\_26058 BEBA\_26062~BEBA\_26065**

**BEBA\_26069~BEBA\_26076 BEBA\_26766 & BEBA\_26770**

**PAVSLBB1000 PAVSLBB1200 PAVSLBB1400 PAVSLDBB**

**PAVSPBB800 PAVSPBB900**



- Multi-person assembly**
- Tools required**
- We always recommend using professional tradespeople to install your product**

# **Congratulations on your purchase**

*And welcome to our growing gang of savvy shoppers*

We're on a mission to bring you extraordinary bathroom products, for less. From modern to traditional style ceramics, plus the gorgeous fixtures, fittings and furniture to match. So, you can fall in love with your space every single day.

As one of the UK's largest independent bathroom stores, we've received countless awards; including the National Business Awards UK, the Digital Entrepreneur Awards and being placed on The Sunday Times Fast Track 100.

We hope your new product goes above and beyond your expectations. However, should any problems occur, please:

- log in to your account and contact our customer services team via your self-serve portal – [betterbathrooms.com/CustomerAccount/Login](https://betterbathrooms.com/CustomerAccount/Login)
- contact us via [betterbathrooms.com/content/contact-us](https://betterbathrooms.com/content/contact-us)

## **Important information**

- Please read these instructions thoroughly and retain for future reference
- Always check for pipes and cables before drilling

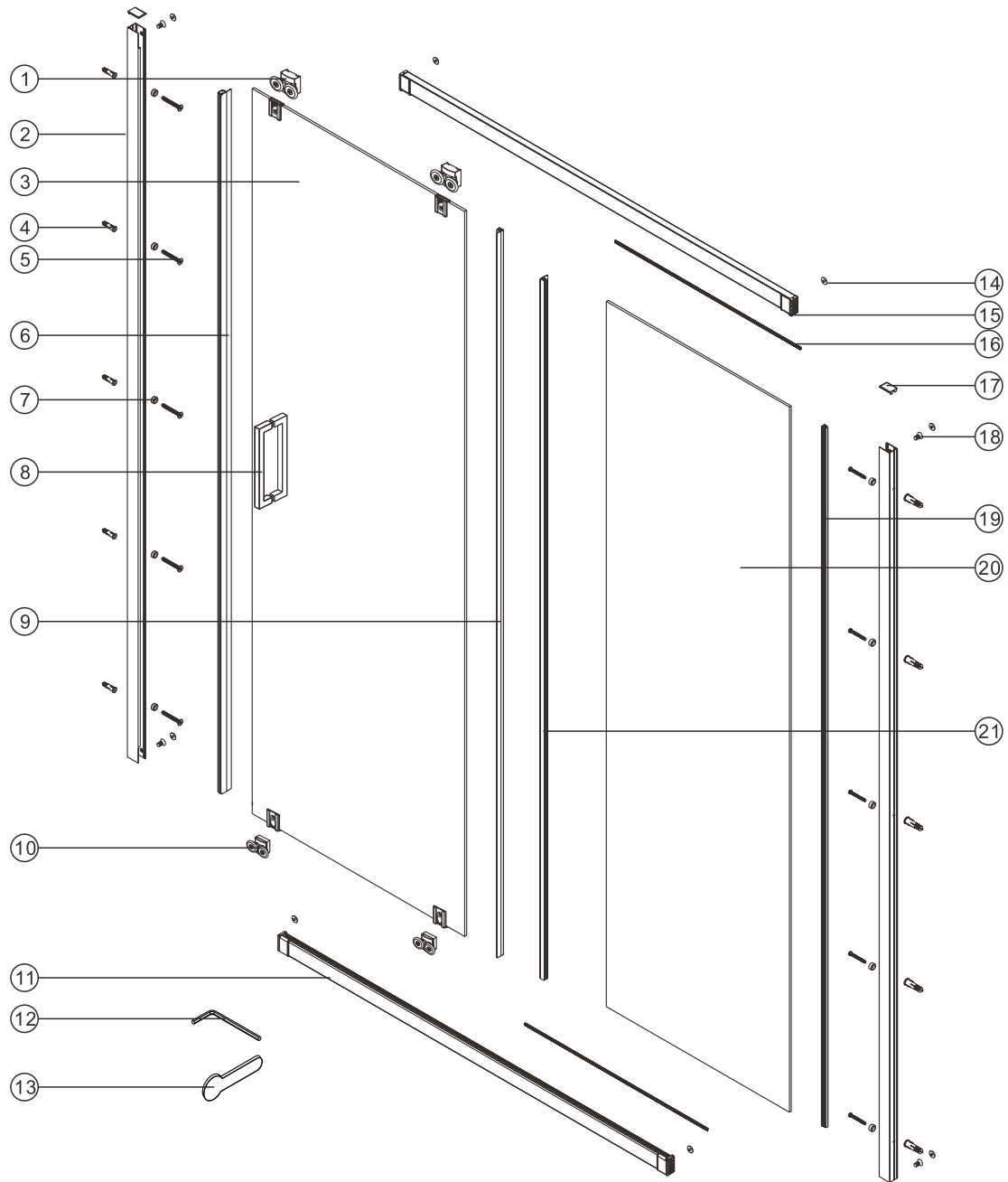
## **CAUTION**

- To prevent leaks, silicone must be applied on the outside of the shower and not on the inside
- Read all instruction carefully before starting the installation
- Save this manual for future reference

# Contents

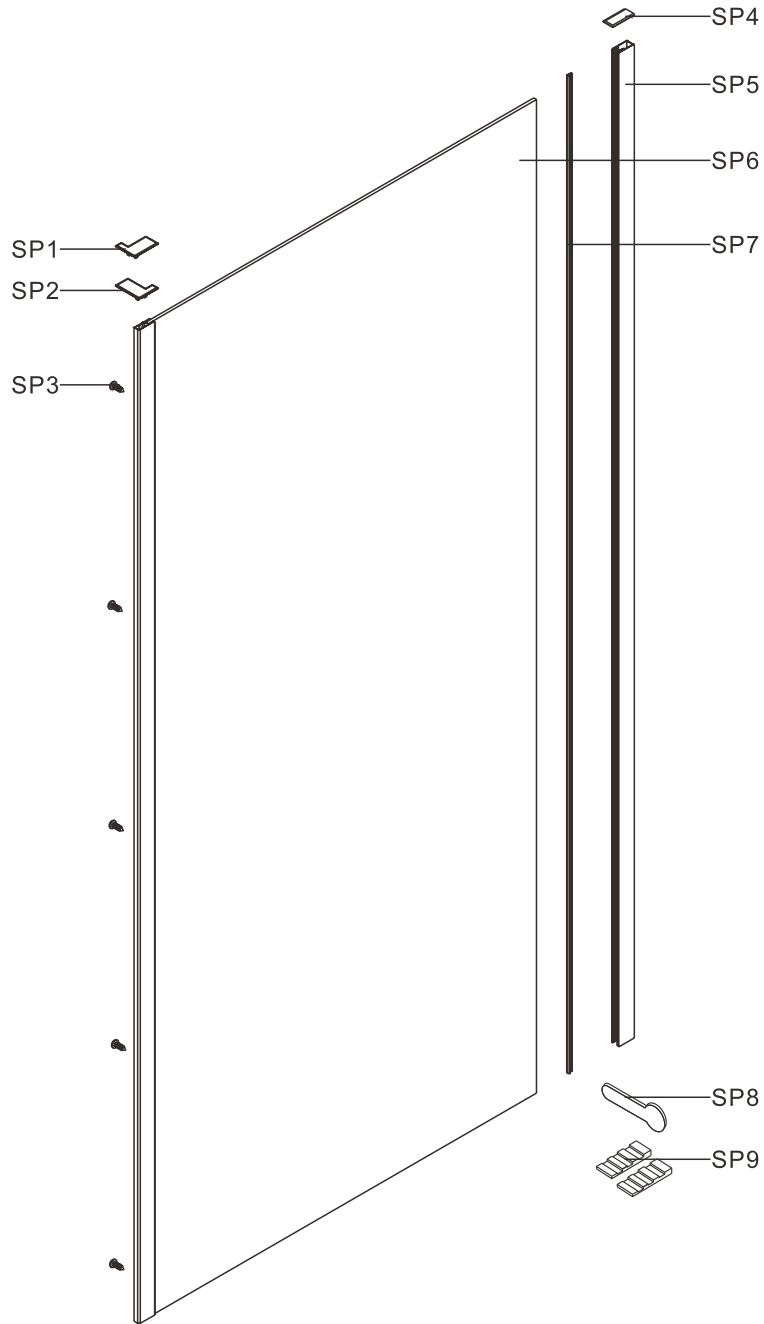
- PART LIST-----	PAGE 04
- PREPARATION & TOOL REQUIRED-----	PAGE 05
- INSTALLATION-----	PAGE 06
- CONTINUE-----	PAGE 07

# PARTS LIST



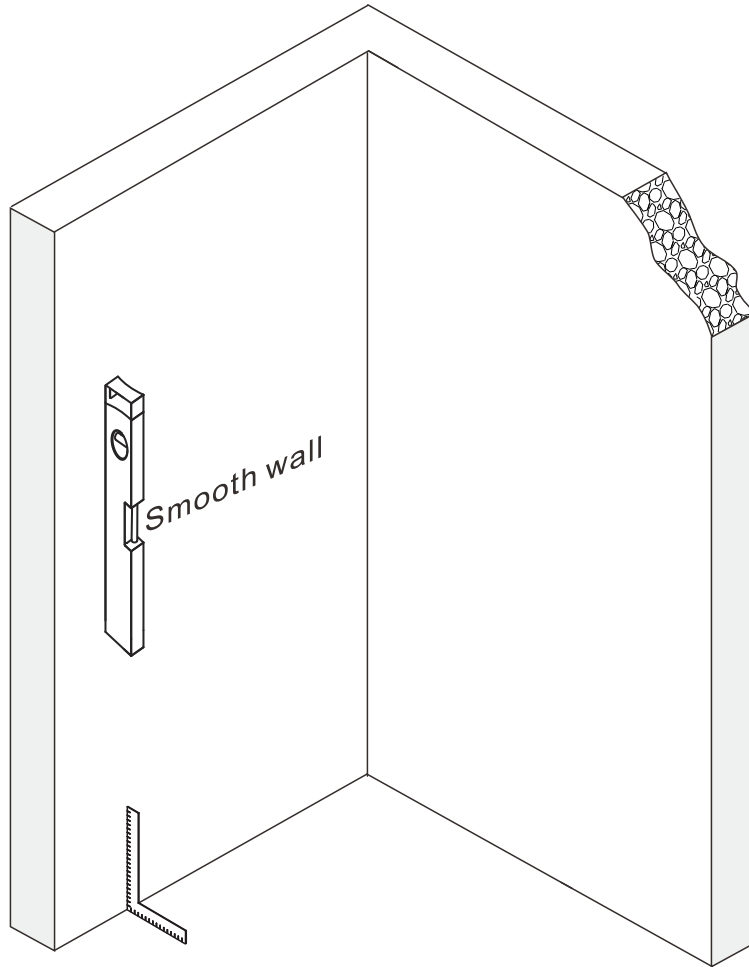
NO	Qty	Description	NO	Qty	Description
1	2	Top roller	12	1	Allan key kit
2	2	Wall profile	13	1	Installation tool
3	1	Moving door	14	8	Screw cap
4	10	Wall anchor	15	1	Top rail
5	10	Screw ST4x40	16	2	Squeeze gasket
6	1	Wall profile gasket	17	2	Profile cap
7	10	Screw base	18	4	Screw M4x10
8	1	Handle	19	1	Wall profile gasket
9	1	Water-retaining gasket	20	1	Fixed glass
10	2	Bottom roller	21	1	Water-retaining gasket
11	1	Bottom rail			

# PARTS LIST

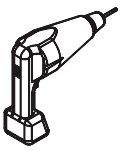


NO	Qty	Description	NO	Qty	Description
SP1	1	Corner profile cap L	SP6	1	Return panel assembling
SP2	1	Corner profile cap R	SP7	1	Squeeze gasket
SP3	5	Screw ST4 x 10	SP8	1	Installation tool
SP4	1	Channel cap extrusion	SP9	2	Glass Wedge spacer
SP5	1	Chrome Wall Channel			

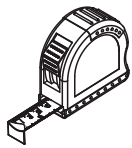
# Preparation



# Tools required



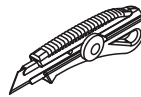
DRILL



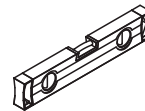
MEASURING TAPE



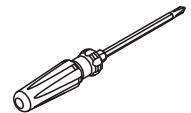
SILICONE



PRECISION KNIFE



LEVEL



SCREWDR



MALLET



SET SQUARE



PENCIL



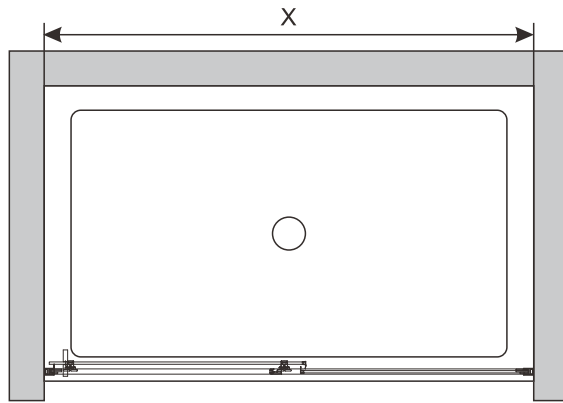
DRILL BITS: 1/8", 3/16" ET 1/4"  
\*MASONRY DRILL BIT



SCREWS

# Installation

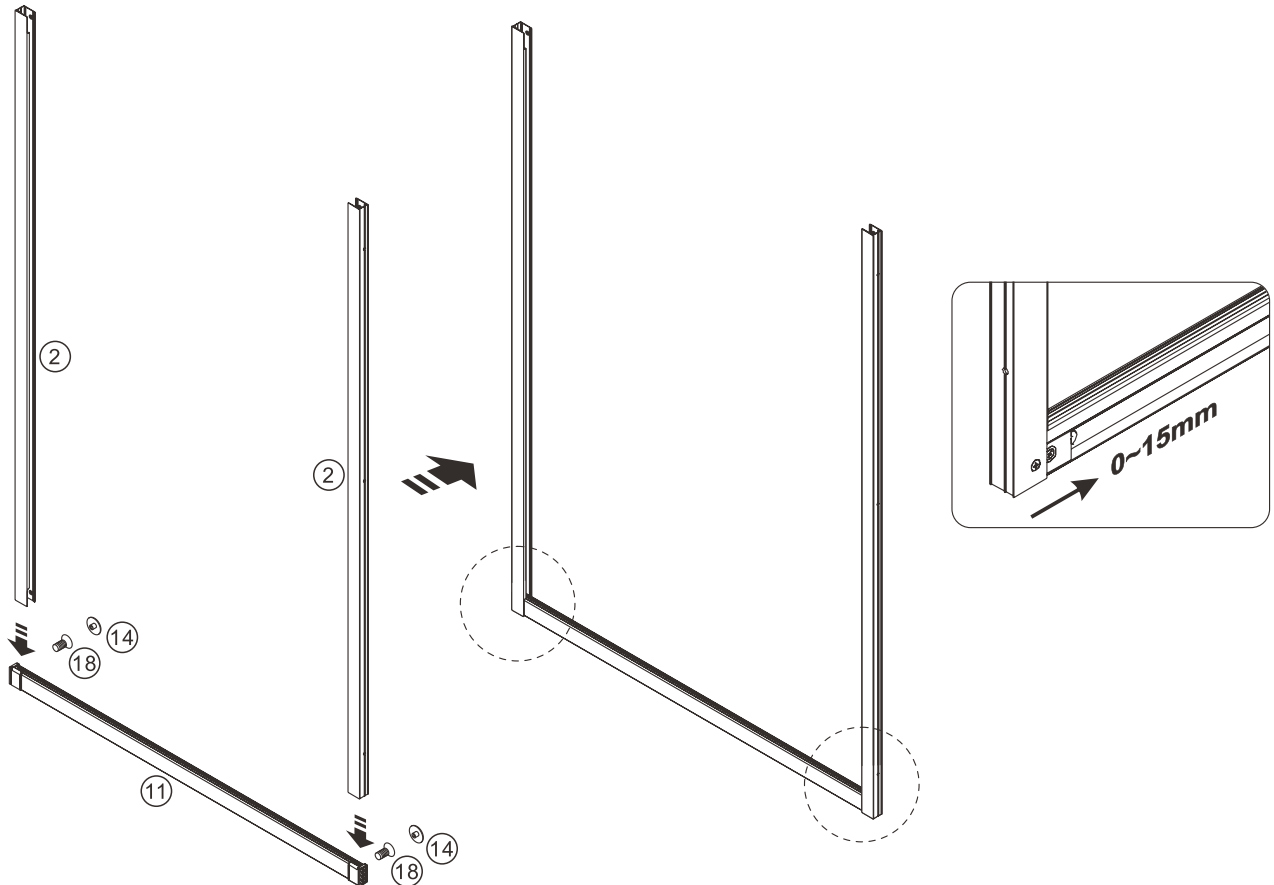
**A** 01



Size	X,mm
1000	950 ~ 980
1100	1050 ~ 1080
1200	1150 ~ 1180
1400	1350 ~ 1380

# Continue

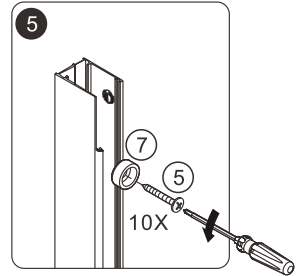
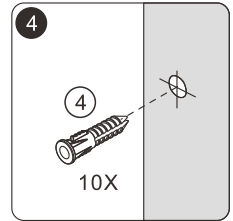
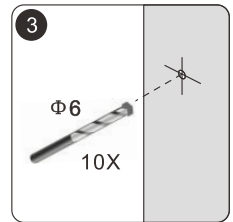
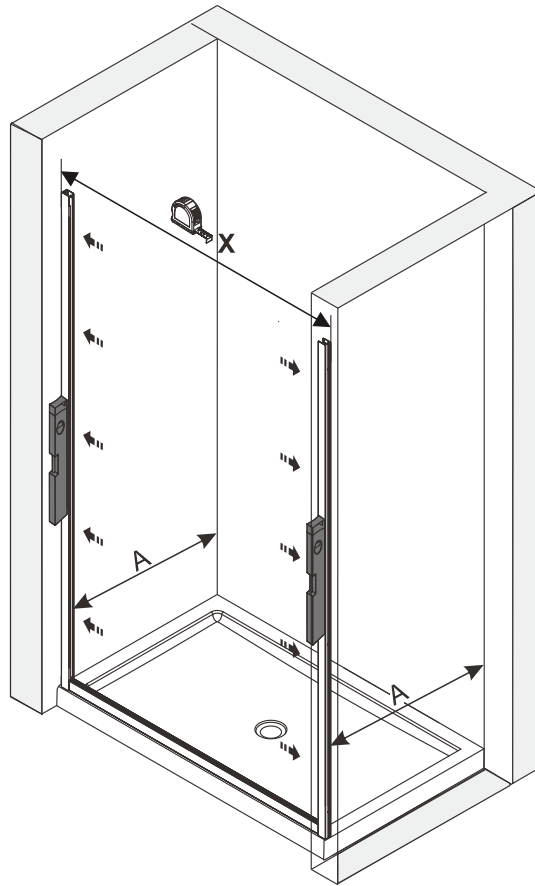
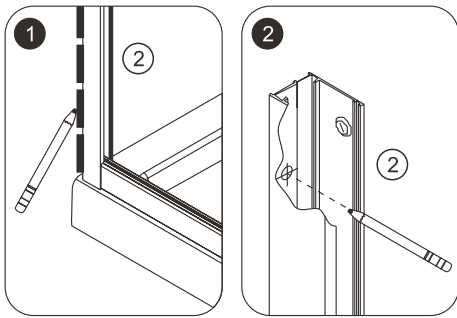
**A** 02



# Continue

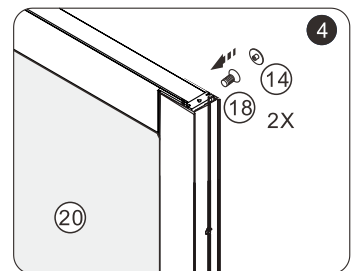
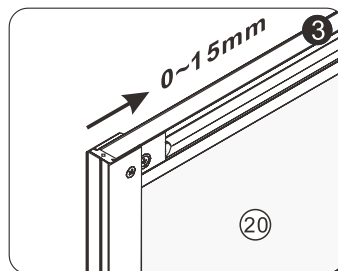
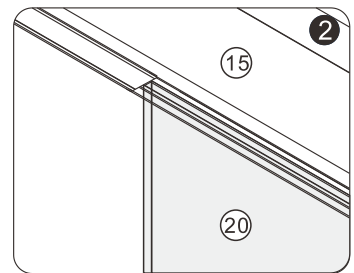
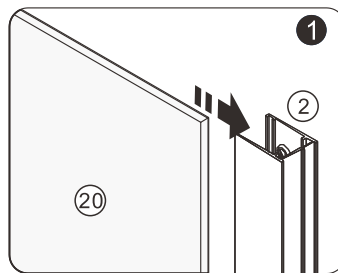
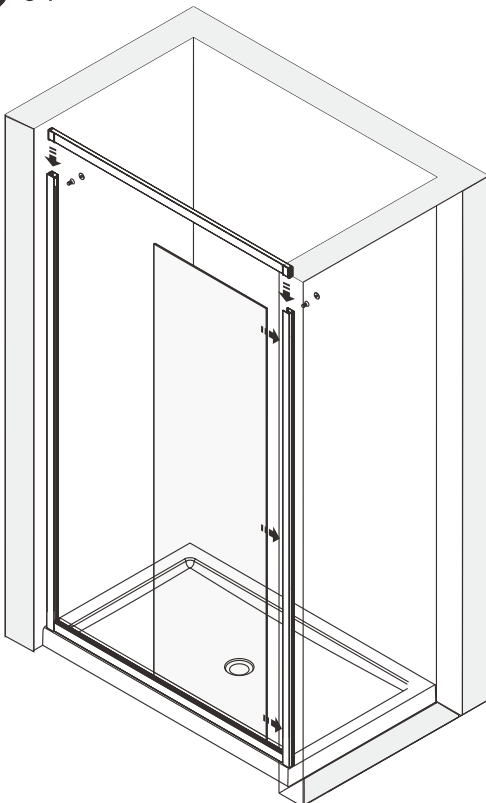
## A 03

Size	X,mm
1000	950 ~ 980
1100	1050 ~ 1080
1200	1150 ~ 1180
1400	1350 ~ 1380



# Continue

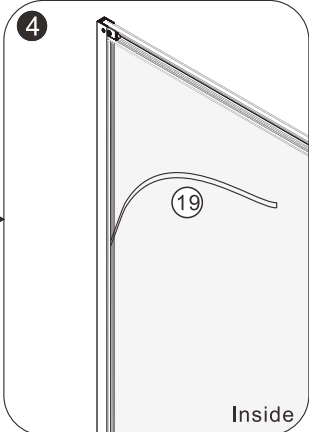
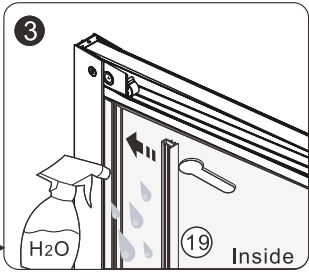
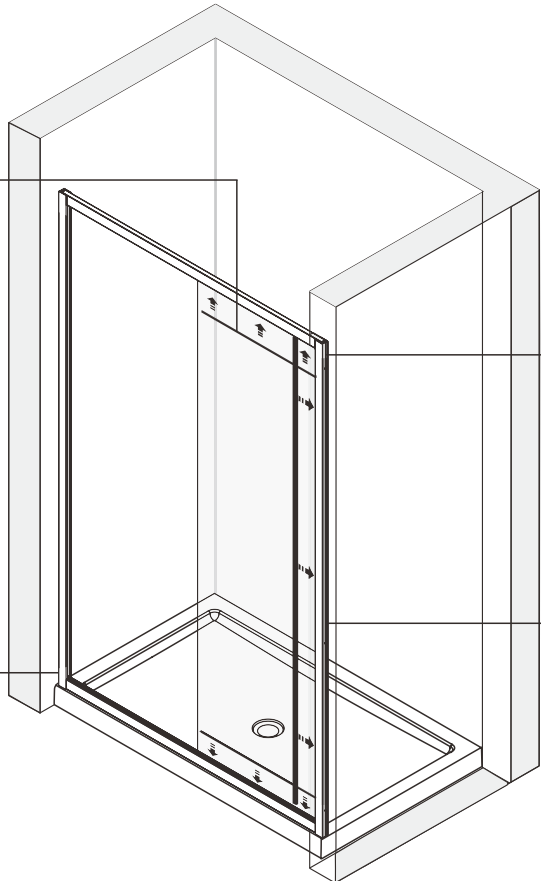
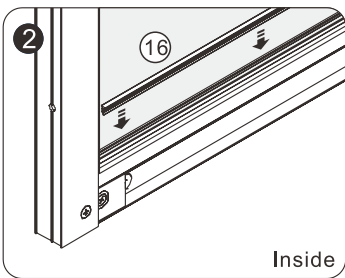
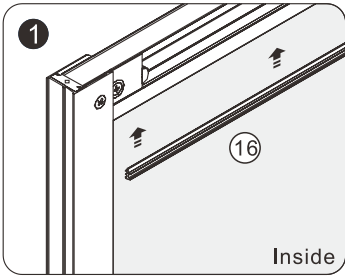
## A 04





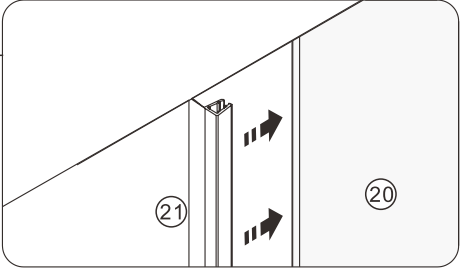
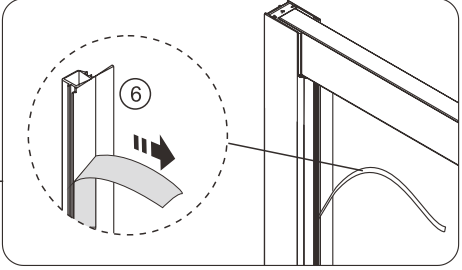
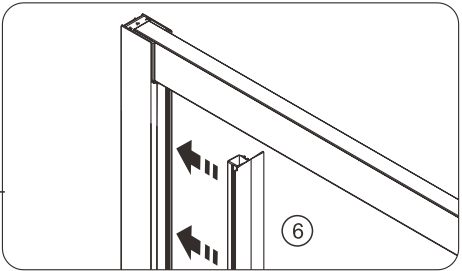
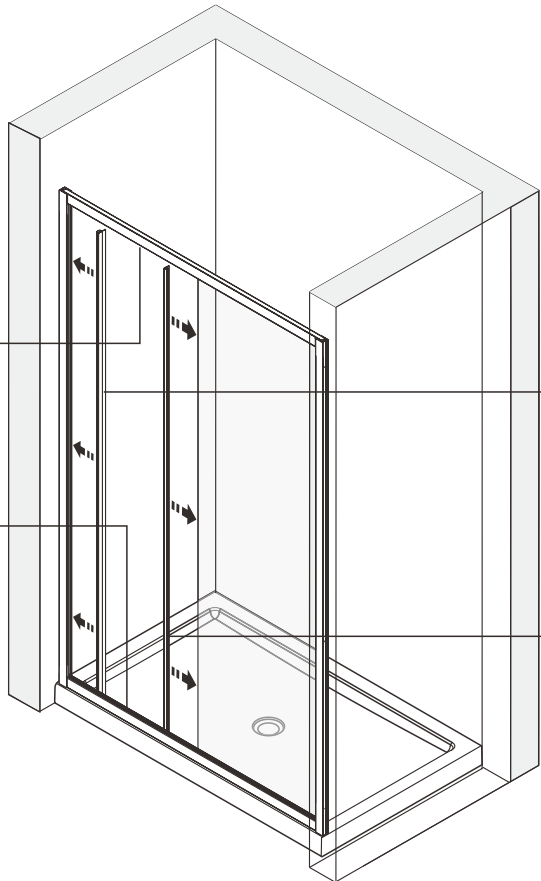
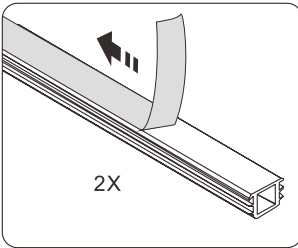
Continue

A 05



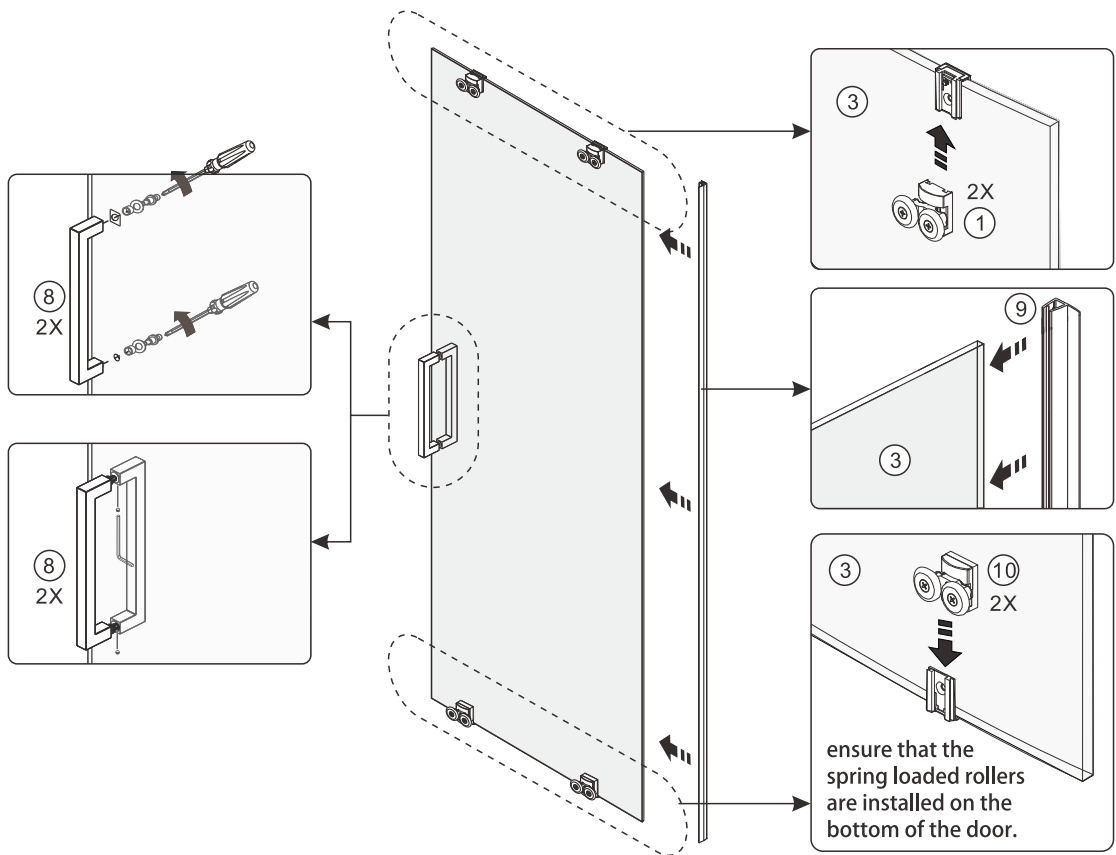
Continue

A 06



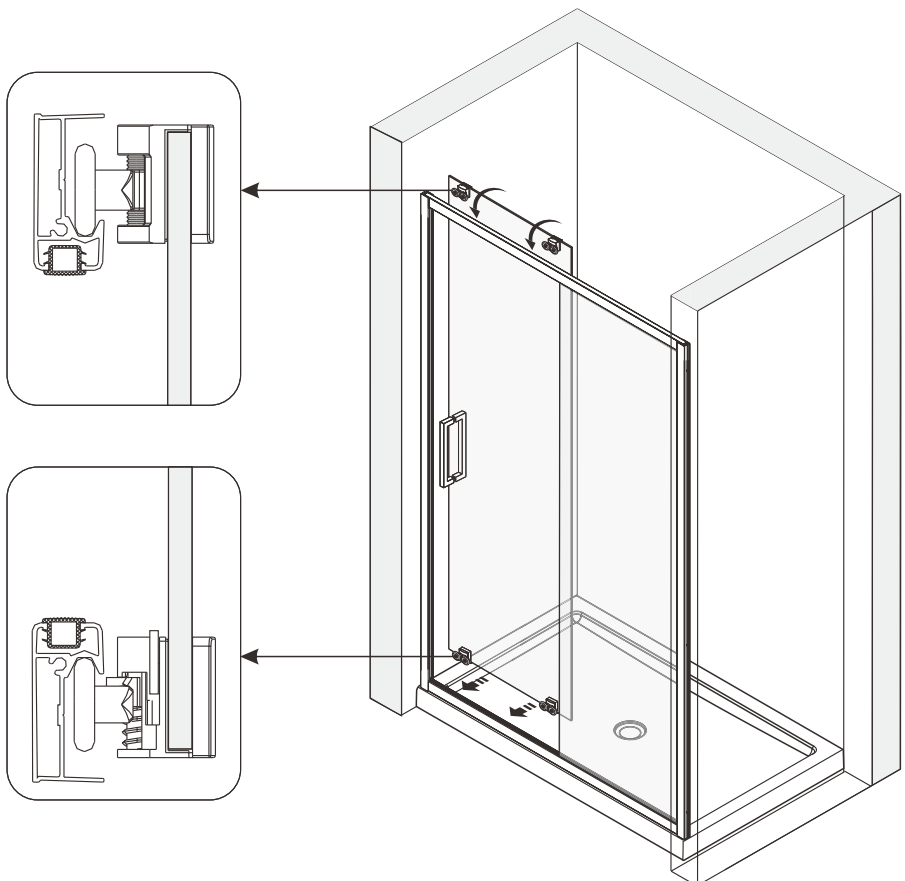
Continue

A 07

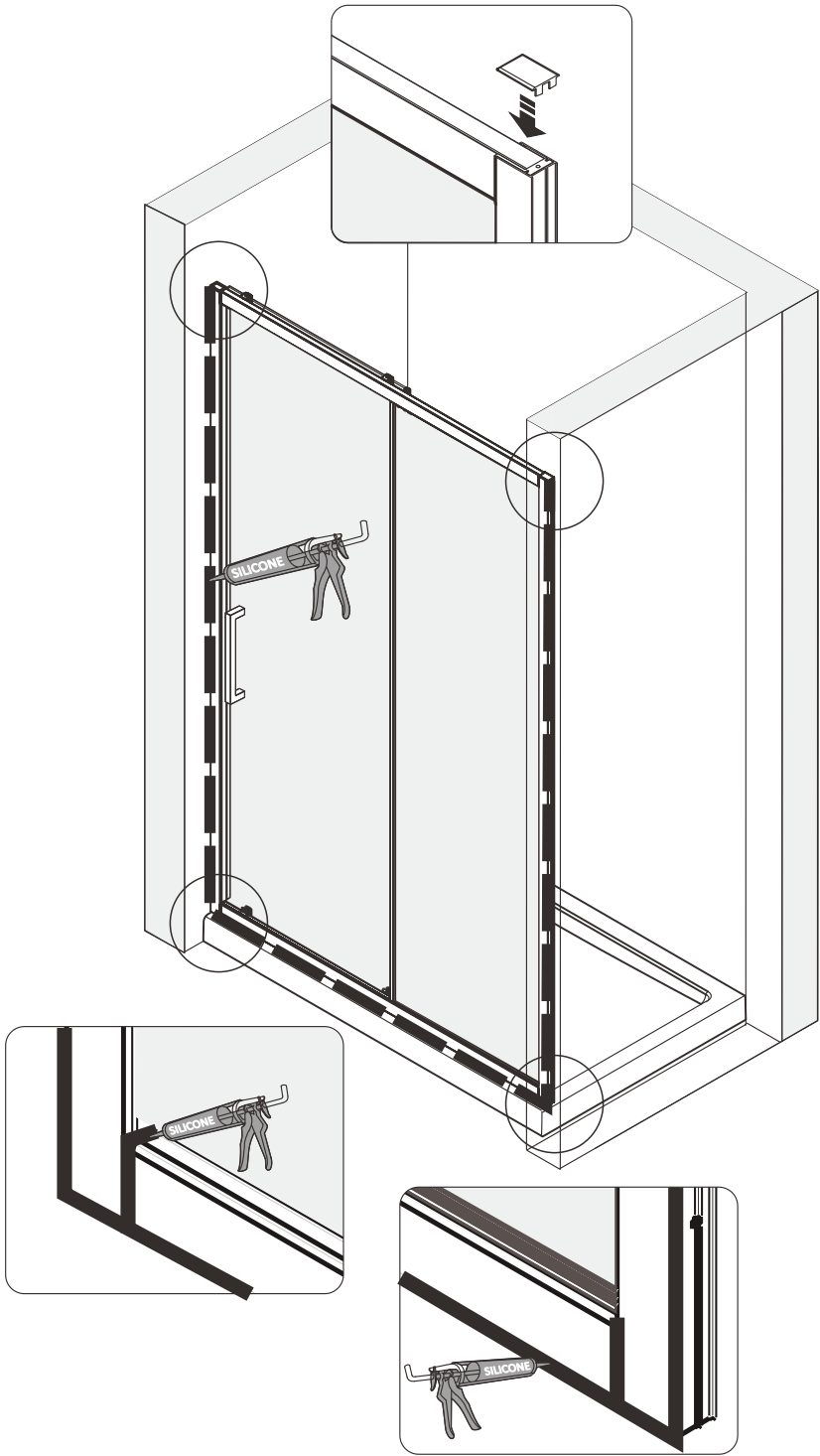
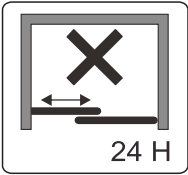
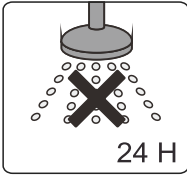


Continue

A 08

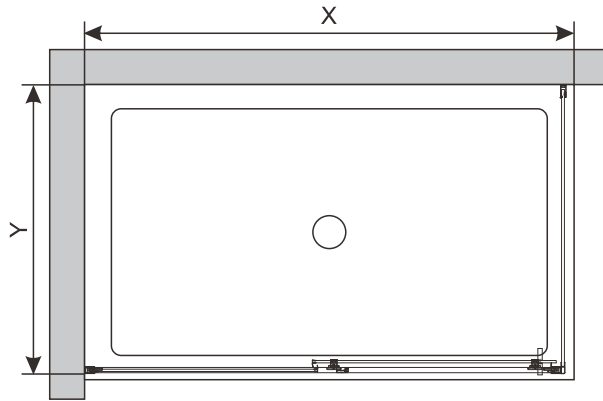


A 09



# Installation

**B** 01

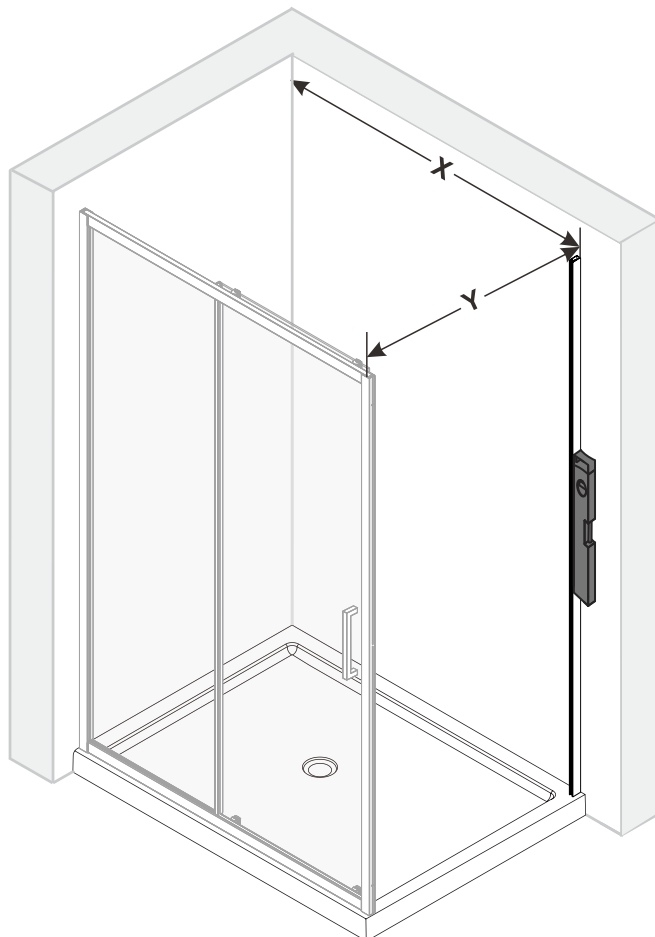
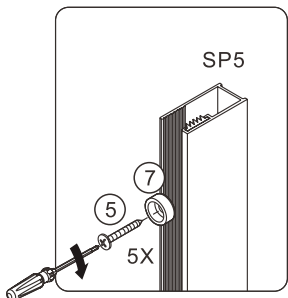
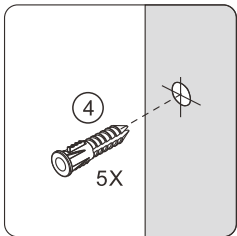
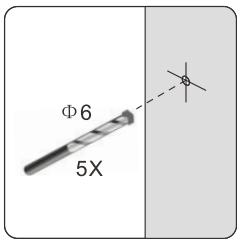


Size	X,mm
1000	950 ~ 980
1100	1050 ~ 1080
1200	1150 ~ 1180
1400	1350 ~ 1380

Size	Y,mm
700	678 ~ 690
760	738 ~ 750
800	778 ~ 790
900	878 ~ 890

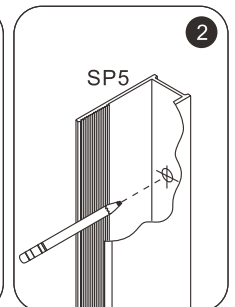
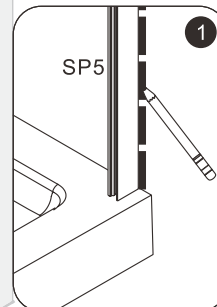
# Continue

**B** 02



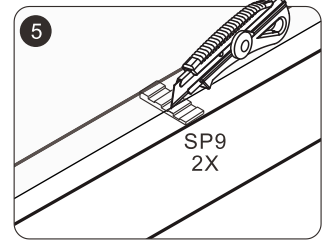
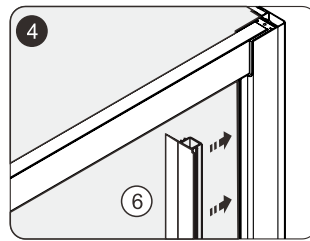
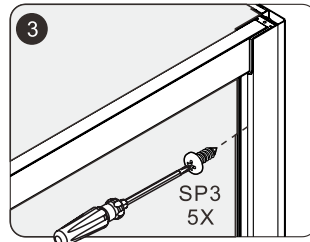
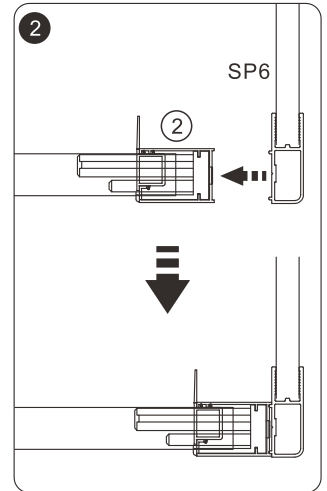
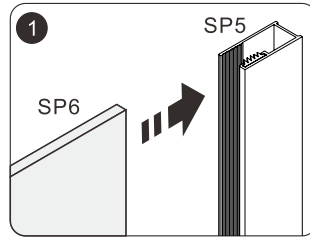
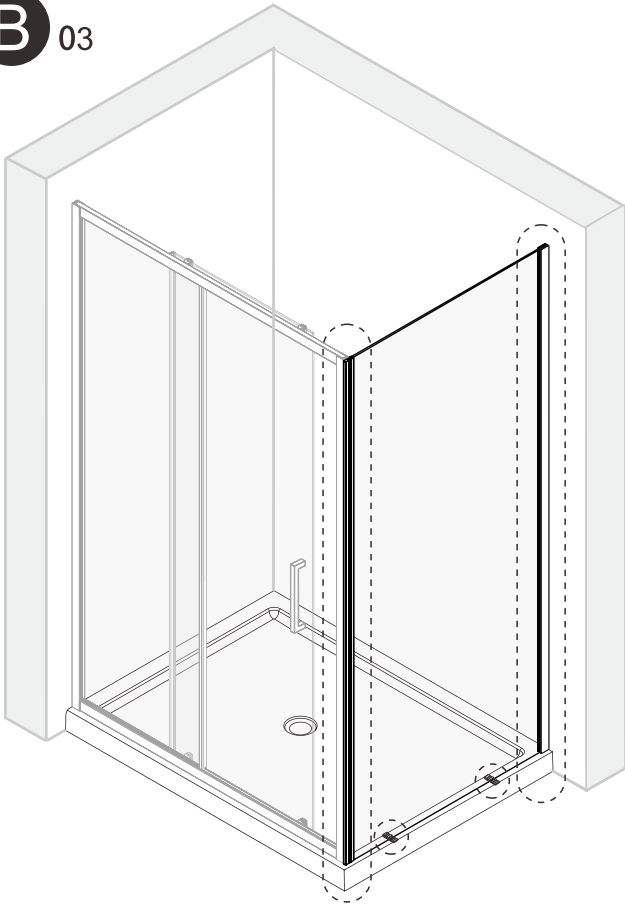
Size	X,mm
1000	950 ~ 980
1100	1050 ~ 1080
1200	1150 ~ 1180
1400	1350 ~ 1380

Size	Y,mm
700	678 ~ 690
760	738 ~ 750
800	778 ~ 790
900	878 ~ 890



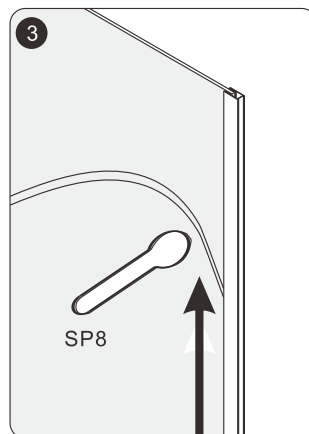
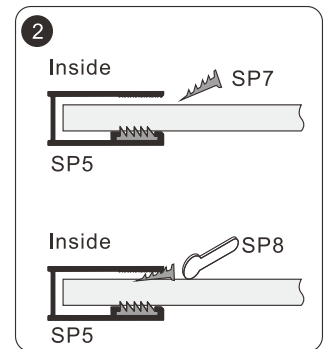
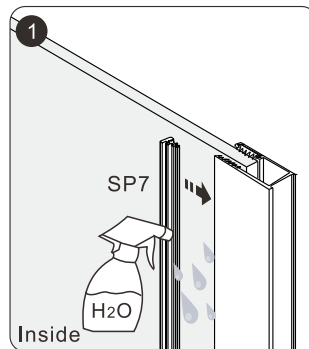
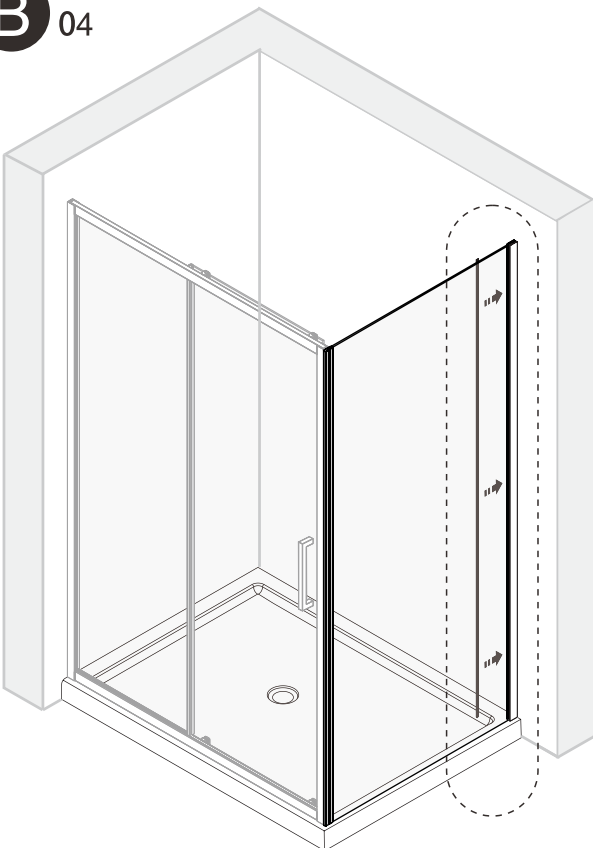
Continue

**B** 03



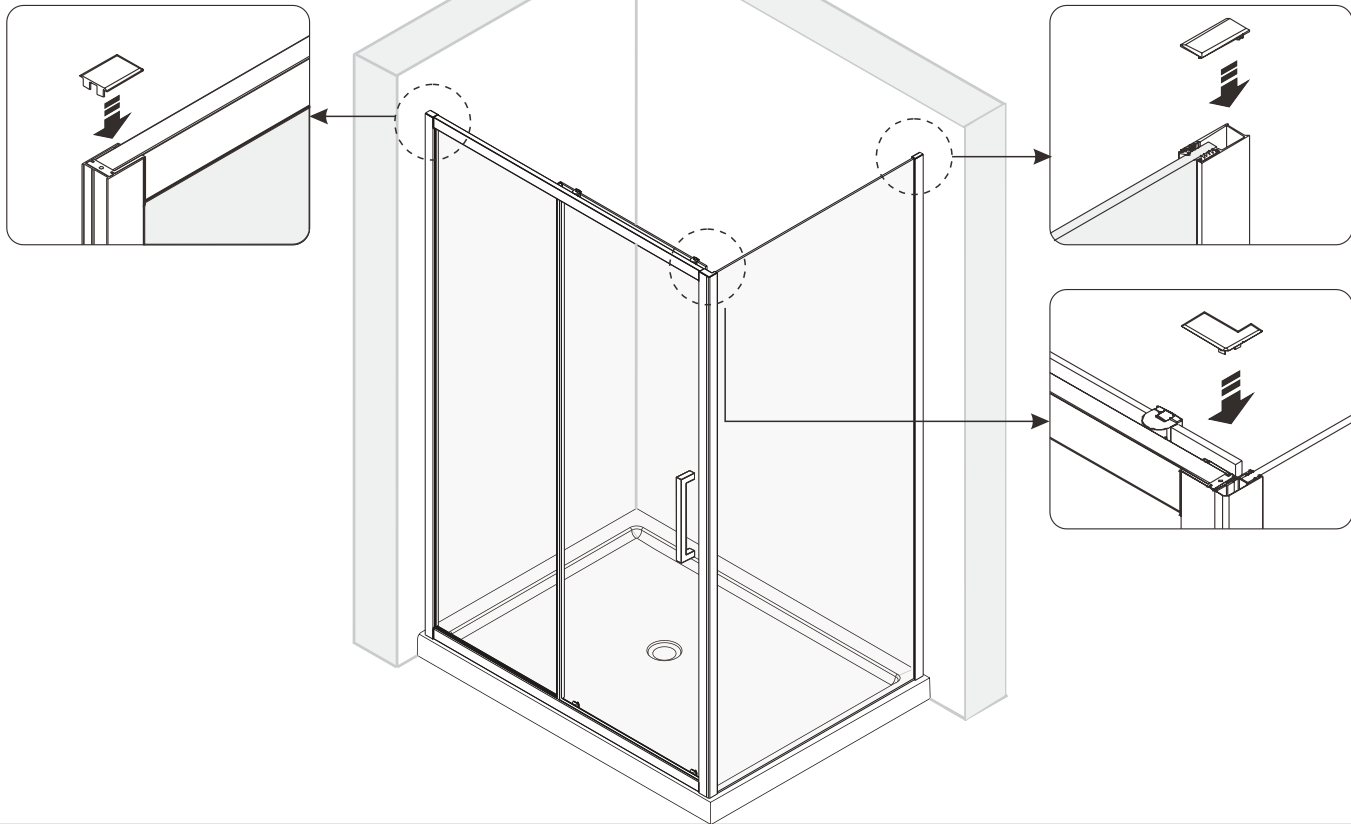
Continue

**B** 04



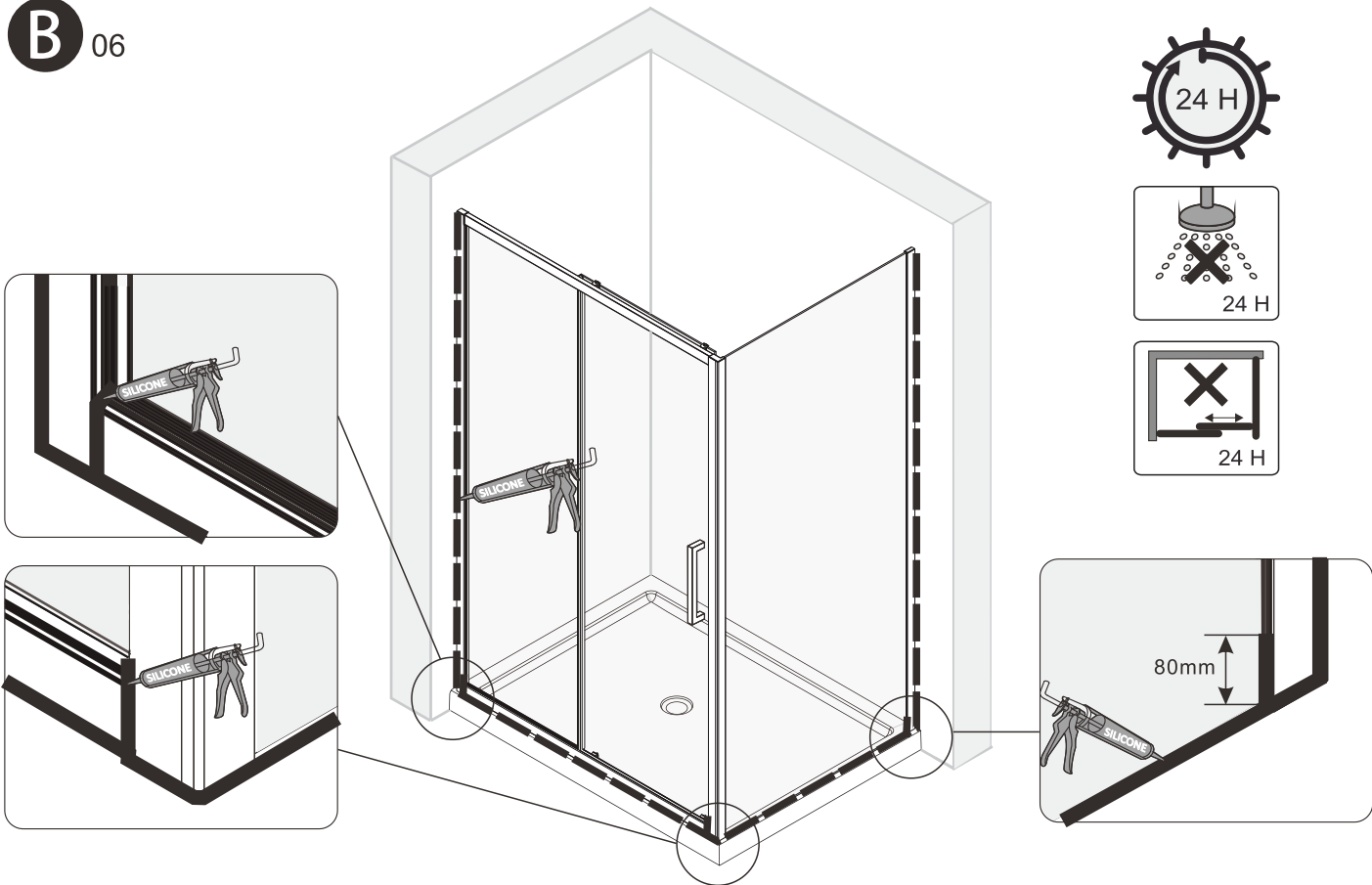
Continue

**B** 05



Continue

**B** 06



## Maintenance & Cleaning

Use a PH-neutral cleaning agent to maintain and clean the surface of your product. Not to use alkaline, solvent, acid and chloric or scrubbing agents.

To maintain the surface of your product, wipe with a clean damp cloth and wipe dry, do not use any abrasive cleaning agents or materials. If any harsh chemicals come into contact with the surface of the product, rinse and wipe clean immediately.

### ***For more information***

- visit [betterbathrooms.com](http://betterbathrooms.com)
- email [customerservices@buyitdirect.co.uk](mailto:customerservices@buyitdirect.co.uk)
- call 03303903062
- write to Trident Business Park, Neptune Way, Huddersfield, HD2 1UA

**better  
bathrooms** 

Part of the BuyItDirect Group